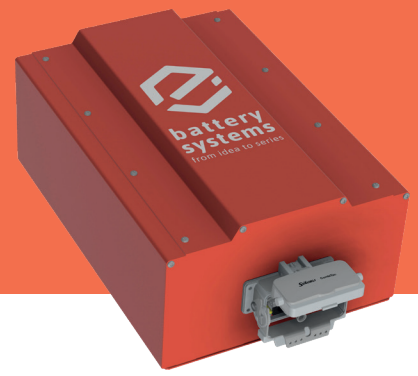


Battery Pack AMEP 44 + 49



Technical Details

NOMINAL 50.4 V

EP	44	49
Energy	4.4kWh	4.9kWh
Power	87.6Ah	96.6Ah
Max. Charging Current	140A	45A
Max. Discharge Current	250A	220A
Temperature Charge	0 – 45°C	
Temperature Discharge	-20 – 60 °C	
Charging Voltage	58.8Vdc	
Nominal Voltage	50.4Vdc	
Weight	30kg	
Dimensions	432 x 308 x 180 mm	

Specification

Lithium-ion cell battery pack with integrated BMS

Robust aluminium housing

Integrated safety fuse

Positive pole switched automatically by a relay

Wake up via 12V signal, button or external CAN command

Secondary 12V external (optional)

Degree of protection IP65

Integrated active heating

Industrial connector for easy and safe handling

Several energy packs can be connected in parallel

Available with user interface and splash-resistant housing

Integrated BMS

Monitors the individual cell voltages

Protects against overcharging or undercharging of the cells

Adjusts the individual cell voltages

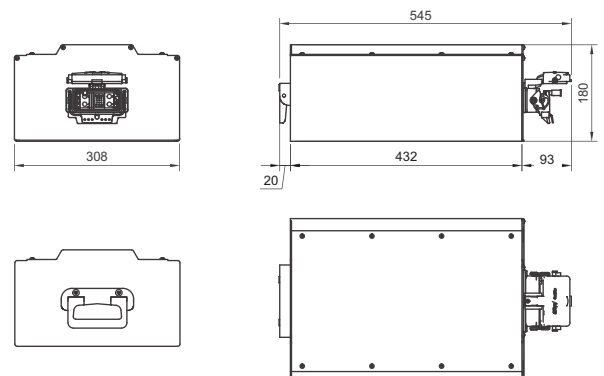
Determines SOC

Monitors the cell temperature

Switches the power output of the battery

Collects data and sends it via CAN protocol

Logs data to an SD card



The color of the housing can be customized!

Battery Pack AMEP-Serie



Technical Details

EP	NOMINAL 50.4 V		NOMINAL 100.8 V	
	44	49	88	97
Energy	4.4kWh	4.9kWh	8.8kWh	9.7kWh
Power	87.6Ah	96.6Ah	87.6Ah	96.6Ah
Max. Charging Current	140A	45A	140A	45A
Max. Discharge Current	250A	220A	250A	220A
Temperature Charge	0 – 45°C		0 – 45°C	
Temperature Discharge	-20 – 60 °C		-20 – 60 °C	
Charging Voltage	58.8Vdc		117.6Vdc	
Nominal Voltage	50.4Vdc		100.8Vdc	
Weight	30kg		57.5kg	
Dimensions	432 x 308 x 180 mm		733 x 308 x 180 mm	

Specification

Lithium-ion cell battery pack with integrated BMS

Robust aluminium housing

Integrated safety fuse

Positive pole switched automatically by a relay

Wake up via 12V signal, button or external CAN command

Secondary 12V external (optional)

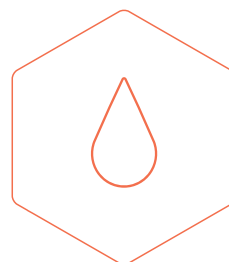
Degree of protection IP65

Integrated active heating

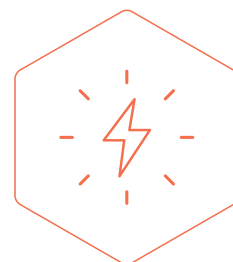
Industrial connector for easy and safe handling

Several energy packs can be connected in parallel

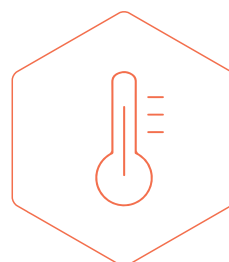
Available with user interface and splash-resistant housing



IP65
rating



BMS
integrated



HEATING
integrated



CAN
ready